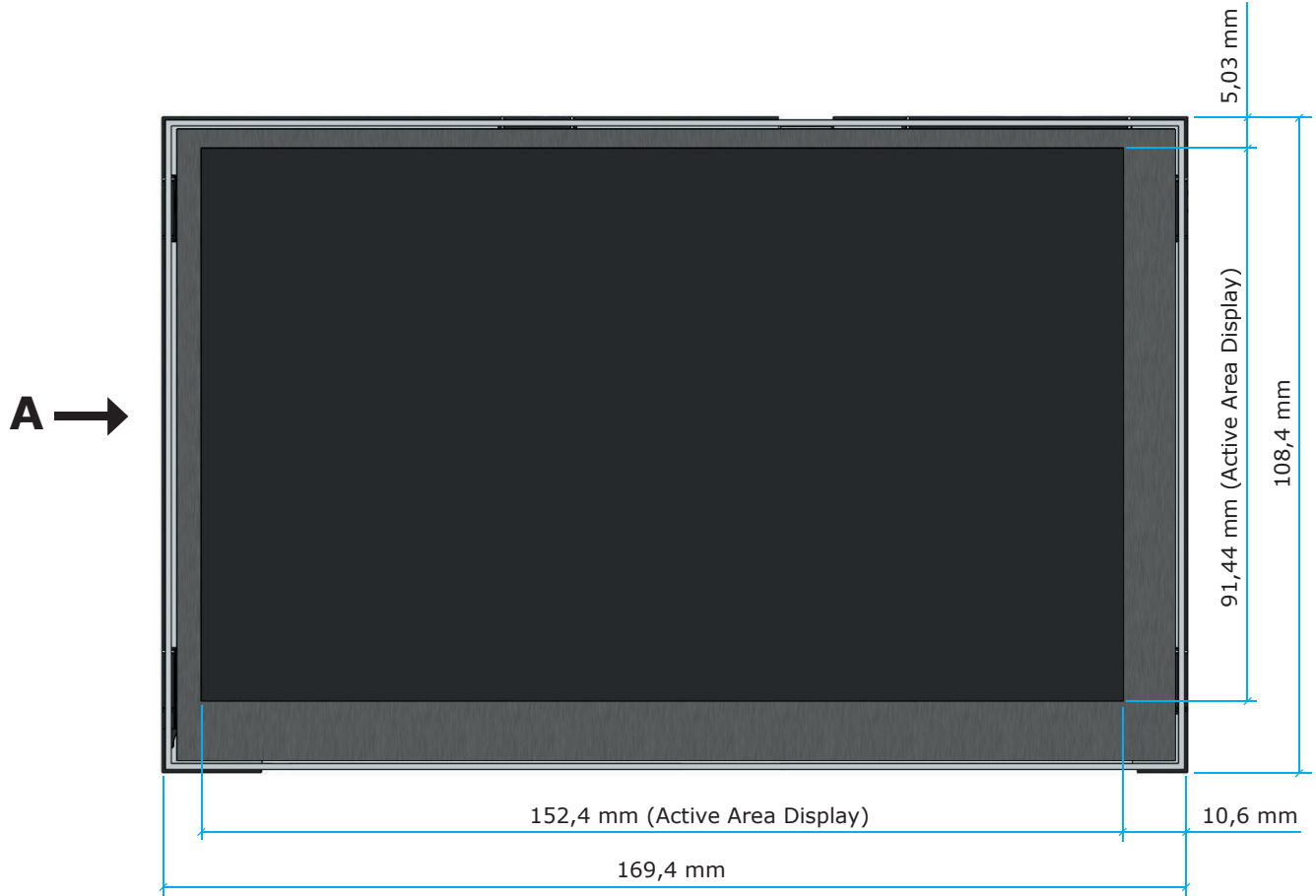


i-PAN7 – new housing

with resistive OSD Touch-Display OSD070T1185-45TS

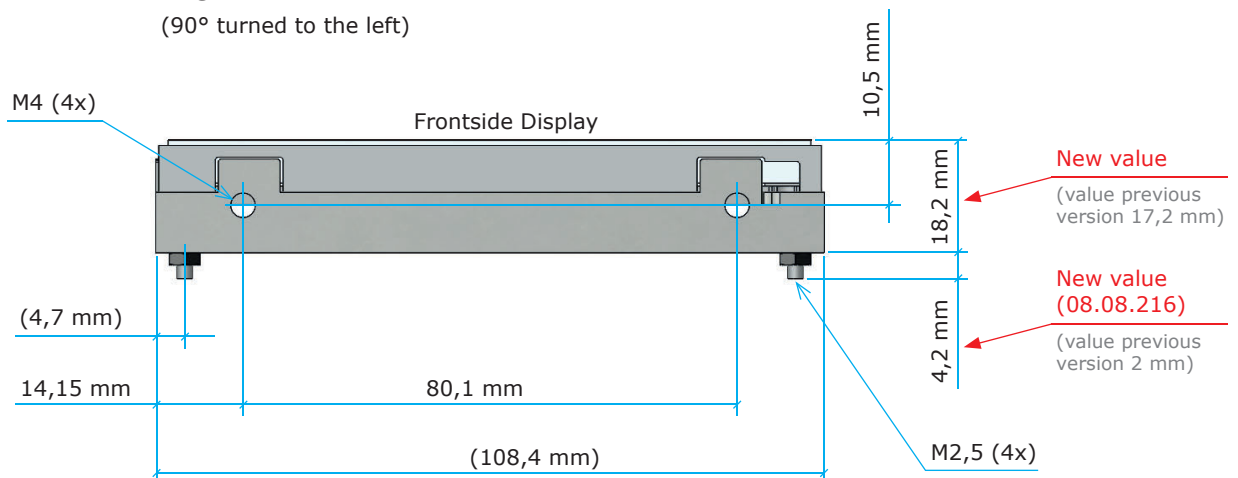
General tolerance to DIN ISO 2768 - m

Keith & Koep



View A

(90° turned to the left)



i-PAN7 – new housing

General tolerance to DIN ISO 2768 - m

Keith & Koep

